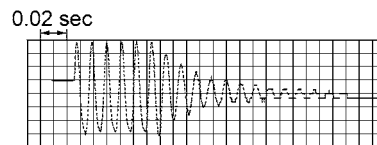
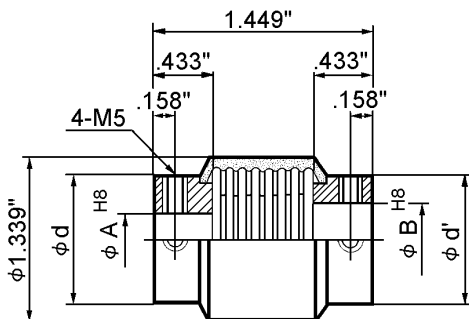


*U.S. Patented Vibralow Couplings will ensure highly precise rotational positioning to your systems by dampening from oscillation caused by stepping, servo and other motors.*

## Coupling with Low Oscillation : Model " VL120 "

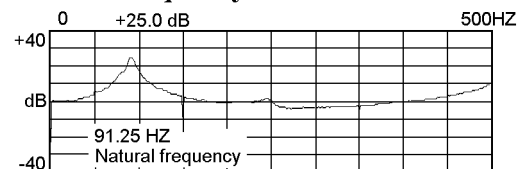
- ☆ U.S. Patented Vibralow Couplings *can be used as a vibration isolator between the shafts.*
- ☆ *A Chloroprene Rubber Cover outside a Bellows* of the Patented vibralow coupling yields *restoration to the coupling and quickly dampens oscillations* onto the shafts.
- ☆ Efficient torque transmission and *accurate rotational positioning is achieved* throughout the entire operational range.

**Part No. VL120-29-(A × B)**



Damping time: within 0.3 seconds

Natural Frequency : 91.25 Hz



Part No.	ϕ A	ϕ B	ϕ d	ϕ d'	Inertia gcm <sup>2</sup>
VL120 - 1	.313"	.313"	.984"	.984"	96.25
VL120 - 2	.313"	.375"	.984"	.984"	95.87
VL120 - 3	.375"	.375"	.984"	.984"	95.48
VL120 - 4	.500"	.500"	.984"	.984"	92.29
VL120 - 5	.625"	.625"	1.063"	1.063"	104.39
VL120 - 29	Other bores and customer sizes				

Allowable Tolerance

Bore Diameters	H8
~ .1181"	+ .00055" ~ 0
.1182" ~ .2362"	+ .00071" ~ 0
.2363" ~ .3937"	+ .00087" ~ 0
.3938" ~ .7087"	+ .00106" ~ 0
.7088" ~ 1.1811"	+ .00130" ~ 0

Bores A and B can be specified from **0.313" - 0.631"**

**Technical Data**

Maximum Torque	32 kgfcm
Maximum Speed	5475 rpm
Torsional Stiffness	3.06 × 10 <sup>-4</sup> rad. / kgfcm
Radial spring rate	1.17 kgf / mm

**Misalignment Capability**

Linear spring rate 2.85 kgf/mm

Maximum Rated Lateral Misalignment = .004"		Maximum Rated Angular Misalignment = 2.5 °
--	--	--

Maximum values are not additive, each assumes zero for the other, but lateral and angular misalignment can be combined proportionately: e.g. 50% of each

Materials	Brass bosses, with set screws, soldered to phosphorus bronze Bellows and Nickel plated throughout.	Part Number	VL120-29-A-B	
		Scale	Free	<b>Yunika<sup>®</sup> Corporation, Tokyo</b>