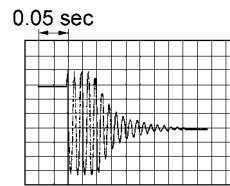
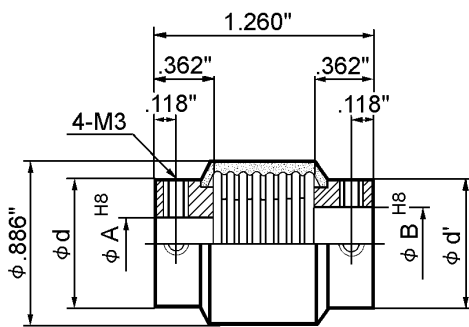


*U.S. Patented Vibralow Couplings will ensure highly precise rotational positioning to your systems by dampening from oscillation caused by stepping, servo and other motors.*

## Coupling with Low Oscillation : Model " VL60 "

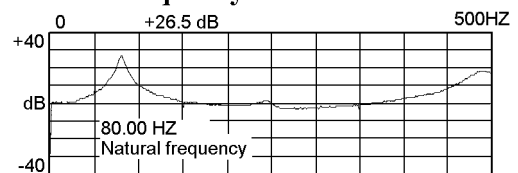
- ☆ U.S. Patented Vibralow Couplings *can be used as a vibration isolator between the shafts.*
- ☆ *A Chloroprene Rubber Cover outside a Bellows* of the Patented vibralow coupling yields *restoration to the coupling and quickly dampens oscillations* onto the shafts.
- ☆ Efficient torque transmission and *accurate rotational positioning is achieved* throughout the entire operational range.

**Part No. VL60-29-(A × B)**



**Damping time:** within 0.3 seconds

**Natural Frequency :** 80 Hz



Part No.	φ A	φ B	φ d	φ d'	Inertia gcm <sup>2</sup>
VL60 - 1	.188"	.188"	.630"	.630"	14.78
VL60 - 2	.188"	.250"	.630"	.709"	16.78
VL60 - 3	.250"	.250"	.709"	.709"	18.79
VL60 - 4	.250"	.313"	.709"	.709"	18.61
VL60 - 5	.313"	.313"	.709"	.709"	18.44
VL60 - 6	.236"	.250"	.630"	.709"	16.72
VL60 - 29	Other bores and customer sizes				

**Allowable Tolerance**

Bore Diameters	H8
~ .1181"	+ .00055" ~ 0
.1182" ~ .2362"	+ .00071" ~ 0
.2363" ~ .3937"	+ .00087" ~ 0
.3938" ~ .7087"	+ .00106" ~ 0
.7088" ~ 1.1811"	+ .00130" ~ 0

Bores A and B can be specified from **0.158" - 0.316"**

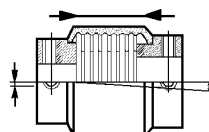
**Technical Data**

Maximum Torque	12 kgfcm
Maximum Speed	4800 rpm
Torsional Stiffness	7.5 × 10 <sup>-4</sup> rad. / kgfcm
Radial spring rate	0.71 kgf / mm

**Misalignment Capability**

Linear spring rate 2.08 kgf/mm

Maximum Rated Lateral Misalignment = .004"



Maximum Rated Angular Misalignment = 2.5 °

Maximum values are not additive, each assumes zero for the other, but lateral and angular misalignment can be combined proportionately: e.g. 50% of each

Materials	Brass bosses, with set screws, soldered to phosphorus bronze Bellows and Nickel plated throughout.	Part Number		VL60-29-A-B
		Scale	Free	<b>Yunika<sup>®</sup> Corporation, Tokyo</b>