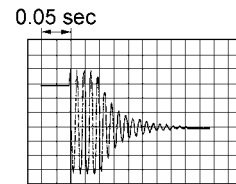
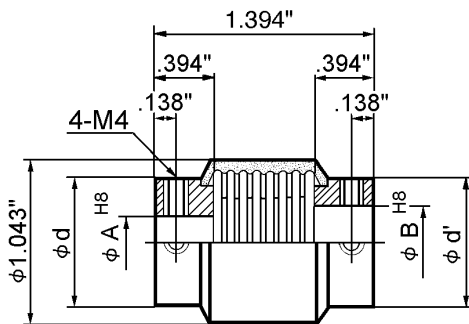


U.S. Patented Vibralow Couplings will ensure highly precise rotational positioning to your systems by dampening from oscillation caused by stepping, servo and other motors.

Coupling with Low Oscillation : Model " VL90 "

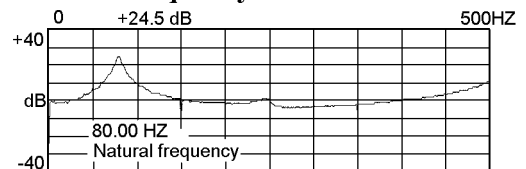
- ☆ U.S. Patented Vibralow Couplings *can be used as a vibration isolator between the shafts.*
- ☆ *A Chloroprene Rubber Cover outside a Bellows* of the Patented vibralow coupling yields *restoration to the coupling and quickly dampens oscillations* onto the shafts.
- ☆ Efficient torque transmission and *accurate rotational positioning is achieved* throughout the entire operational range.

Part No. VL90-29-(A × B)



Damping time: within 0.3 seconds

Natural Frequency : 80 Hz



Part No.	φ A	φ B	φ d	φ d'	Inertia gcm ²
VL90 - 1	.250"	.250"	.827"	.827"	40.42
VL90 - 2	.250"	.313"	.827"	.827"	40.23
VL90 - 3	.313"	.313"	.827"	.827"	40.05
VL90 - 4	.313"	.375"	.827"	.827"	39.7
VL90 - 5	.375"	.375"	.827"	.827"	39.35
VL90 - 6	.500"	.500"	.827"	.827"	36.45
VL90 - 29	Other bores and customer sizes				

Allowable Tolerance

Bore Diameters	H8
~ .1181"	+ .00055" ~ 0
.1182" ~ .2362"	+ .00071" ~ 0
.2363" ~ .3937"	+ .00087" ~ 0
.3938" ~ .7087"	+ .00106" ~ 0
.7088" ~ 1.1811"	+ .00130" ~ 0

Bores A and B can be specified from **0.236" - 0.552"**

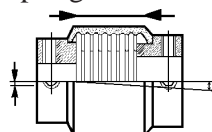
Technical Data

Maximum Torque	18 kgfcm
Maximum Speed	4800 rpm
Torsional Stiffness	4.27 × 10 ⁻⁴ rad. / kgfcm
Radial spring rate	0.67 kgf / mm

Misalignment Capability

Linear spring rate 2.32 kgf/mm

Maximum Rated Lateral Misalignment = .004"



Maximum Rated Angular Misalignment = 2.5 °

Maximum values are not additive, each assumes zero for the other, but lateral and angular misalignment can be combined proportionately: e.g. 50% of each

Materials	Brass bosses, with set screws, soldered to phosphorus bronze Bellows and Nickel plated throughout.	Part Number		VL90-29-A-B
		Scale	Free	Yunika[®] Corporation, Tokyo