

U.S. Patent 6,514,146 **U.S. Patented Vibralow® Bellows Coupling**

Melted Rubber

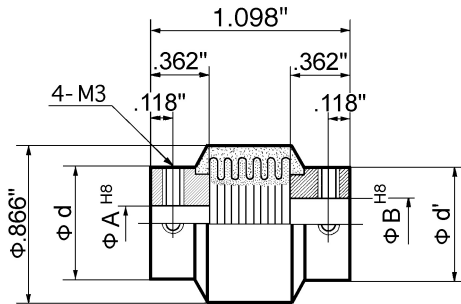
Model " VLM200 "

《Rubber outside and inside the Metal Bellows dampens oscillations to the lowest value》

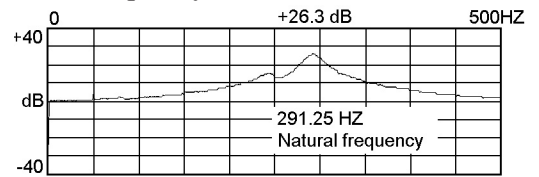
- ☆ Melted Chloroprene Rubber outside and Silicone Rubber inside a Bellows yield restoration to the coupling and quickly dampen oscillations caused by **stepping, servo and other motors.**
- ☆ Efficient torque transmission and accurate rotational positioning is achieved throughout the entire operational range.
- ☆ The Vibralow Coupling requires precise installation to the shaft to keep long life.

Part No. VLM200-29-(A × B)

※ Oscillations under 150 hertz will quickly be dampened to a minimal value by melted rubber.

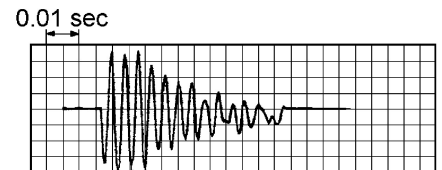


☆ Natural Frequency: 291.25 Hz



※ Resonance of the Vibralow Bellows coupling model VLM500 will be dampened within approximately **0.06 - 0.07 seconds.**

Part No.	φ A in.	φ B in.	φ d in.	φ d' in.	Rated Torque kgfcm	Inertia gfc ²
VLM 200 - 1	3/16	3/16	.630	.630	16	17.69
VLM 200 - 2	3/16	1/4	.630	.709	16	19.70
VLM 200 - 3	1/4	1/4	.709	.709	16	21.71
VLM 200 - 4	5/16	1/4	.709	.709	16	21.53
VLM 200 - 5	5/16	5/16	.709	.709	16	21.36
VLM 200 - 6	5 mm	5 mm	.630	.630	16	17.68
VLM 200 - 7	5 mm	6 mm	.630	.630	16	17.63
VLM 200 - 8	6 mm	6 mm	.630	.630	16	17.58
VLM 200 - 9	6 mm	8 mm	.630	.709	16	19.46
VLM 200 - 10	8 mm	8 mm	.709	.709	16	21.33
VLM 200 - 29	Other bores and customer sizes				16	



Allowable Tolerance

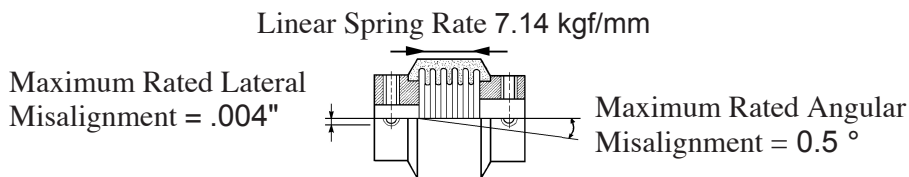
Bore Diameters	H8
.118" ~ .236"	+ .0007" ~ 0
(.236") ~ .394"	+ .0009" ~ 0
(.394") ~ .709"	+ .0011" ~ 0

Bores A and B can be specified from 0.158" - 0.315" and customer sizes

Technical Data

Rated Torque 16 kgfcm
 Maximum Speed 17,460 rpm
 Torsional Stiffness 5.84×10^{-4} rad. / kgfcm

Misalignment Capabilities



Maximum values are not additive, each assumes zero for the other, but lateral and angular misalignment can be combined proportionately: e.g. 50% of each

Materials	Brass bosses, with set screws, soldered to phosphorus bronze Bellows. Chloroprene rubber outside and Silicone rubber inside.	Part Number		VLM200-29-A-B
		Scale	Free	Yunika® Corporation, Tokyo