

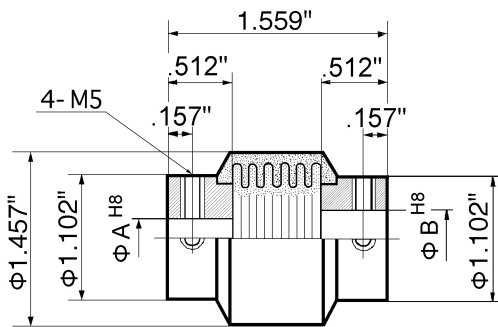
U.S. Patent 6,514,146 U.S. Patented Vibralow® Bellows Coupling

Melted Rubber

Model " VLM500 " «Rubber outside and inside the Metal Bellows dampens oscillations to the lowest value»

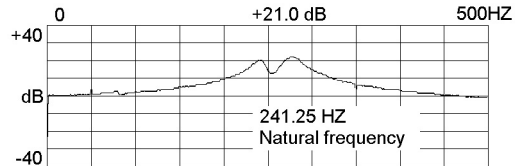
- ☆ Melted Chloroprene Rubber outside and Silicone Rubber inside a Bellows yield restoration to the coupling and quickly dampen oscillations caused by **stepping, servo and other motors.**
- ☆ Efficient torque transmission and accurate rotational positioning is achieved throughout the entire operational range.
- ☆ The Vibralow Coupling requires precise installation to the shaft to keep long life.

Part No. **VLM500-29-(A × B)**



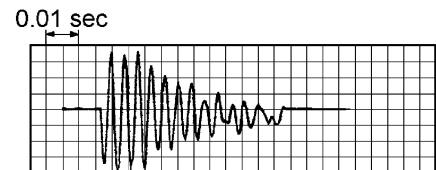
※ Oscillations under 150 hertz will quickly be dampened to a minimal value by melted rubber.

☆ Natural Frequency: 241.25 Hz



※ Resonance of the Vibralow Bellows coupling model VLM500 will be dampened within approximately 0.06 - 0.07 seconds.

Part No.	φ A in.	φ B in.	Rated Torque kgfcm	Inertia gfc ²
VLM 500 - 1	3/8	3/8	60	210.6
VLM 500 - 2	1/2	1/2	60	206.9
VLM 500 - 3	5/8	5/8	60	199.0
VLM 500 - 4	10 mm	10 mm	60	210.2
VLM 500 - 5	12 mm	12 mm	60	208.0
VLM 500 - 6	15 mm	15 mm	60	201.7
VLM 500 - 7	16 mm	16 mm	60	198.6
VLM 500 - 29	Other bores		60	



Allowable Tolerance

Bore Diameters	H8
.118" ~ .236"	+ .0007" ~ 0
(.236") ~ .394"	+ .0009" ~ 0
(.394") ~ .709"	+ .0011" ~ 0

Bores A and B can be specified from 0.313" -0 .630" and customer sizes

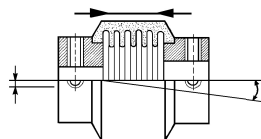
Technical Data

Rated Torque 60 kgfcm
 Maximum Speed 14,460 rpm
 Torsional Stiffness 7.33 × 10⁻⁵ rad. / kgfcm

Misalignment Capabilities

Linear Spring Rate 13.6 kgf/mm

Maximum Rated Lateral Misalignment = .004"



Maximum Rated Angular Misalignment = 0.5°

Maximum values are not additive, each assumes zero for the other, but lateral and angular misalignment can be combined proportionately: e.g. 50% of each

Materials	Brass bosses, with set screws, soldered to phosphorus bronze Bellows. Chloroprene rubber outside and Silicone rubber inside.	Part Number		VLM500-29-A-B
		Scale	Free	Yunika® Corporation, Tokyo