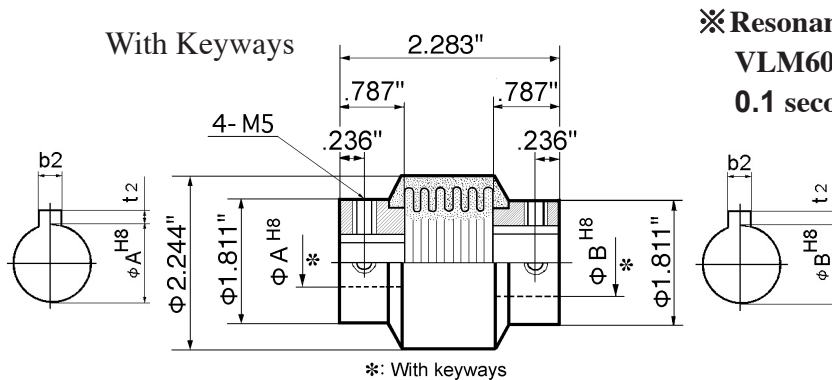


U.S. Patent 6,514,146 U.S. Patented Vibralow® Bellows Coupling

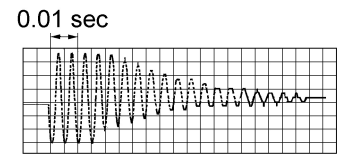
Melted Rubber **Model " VLM600K "** 《Rubber outside and inside the Metal Bellows dampens oscillations to the lowest value》

- ☆ Melted Chloroprene Rubber outside and Silicone Rubber inside a Bellows yield restoration to the coupling and quickly dampen oscillations caused by **stepping, servo and other motors.**
- ☆ Efficient torque transmission and accurate rotational positioning is achieved throughout the entire operational range.
- ☆ The Vibralow Coupling requires precise installation to the shaft to keep long life.

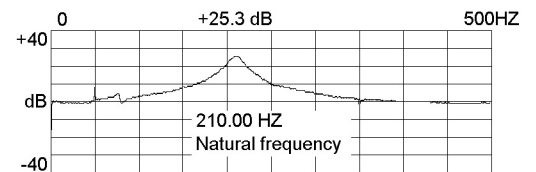
Part No. VLM600K-29-(A × B) (Dimensions of keyways are available upon request)



※ Resonance of the Vibralow Bellows coupling model VLM600K will be dampened within approximately 0.1 seconds.



☆ Natural Frequency: 210 Hz



Part No.	φ A in.	φ B in.	Rated Torque kgfcm	Inertia kgfcm ²
VLM 600 K - 1	.625	.625	120	2.19
VLM 600 K - 2	.750	.750	120	2.17
VLM 600 K - 3	1.000	1.000	120	2.07
VLM 600 K - 4	15 mm	15 mm	120	2.19
VLM 600 K - 5	20 mm	20 mm	120	2.16
VLM 600 K - 6	25 mm	25 mm	120	2.08
VLM 600 K - 29	Other bores and customer sizes			

The moment of inertia of each VLM600K listed above regards to be equivalent to the value of VLM600 each

Bores A and B can be specified from 0.500" -1.024"

Standard Keyways

φ A or φ B	b2	t2
.394" ~ .472"	.158" ±.0006"	.071" ^{+0.0039} / ₀ "
.473" ~ .669"	.197" ±.0006"	.091" ^{+0.0039} / ₀ "
.670" ~ .866"	.236" ±.0006"	.110" ^{+0.0039} / ₀ "
.867" ~ 1.181"	.315" ±.0007"	.130" ^{+0.0079} / ₀ "

Technical Data

Rated Torque	120 kgfcm
Maximum Speed	12,600 rpm
Torsional Stiffness	6.66 × 10 ⁻⁵ rad. / kgfcm

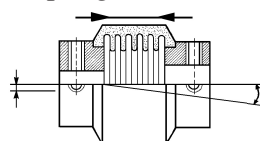
Allowable Tolerance

Bore Diameters	H8
(.394") ~ .709"	+ .0011" ~ 0
(.709") ~ 1.181"	+ .0013" ~ 0

Misalignment Capabilities

Linear Spring Rate 13.3 kgf/mm

Maximum Rated Lateral Misalignment = .004"



Maximum Rated Angular Misalignment = 0.5 °

Maximum values are not additive, each assumes zero for the other, but lateral and angular misalignment can be combined proportionately: e.g. 50% of each

Materials	Brass bosses, with set screws, soldered to phosphorus bronze Bellows. Chloroprene rubber outside and Silicone rubber inside.	Part Number		VLM600K-29-A-B
		Scale	Free	Yunika® Corporation, Tokyo