

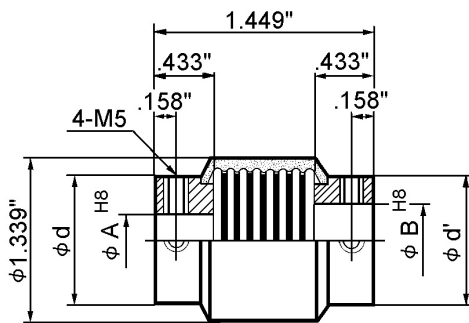
U.S. Patent 6,514,146 U.S. Patented Vibralow® Bellows Coupling

Rubber Cover **Model " VLR120 "** 《Rubber and a rubber cover outside the Metal Bellows dampen oscillations to the lowest value》

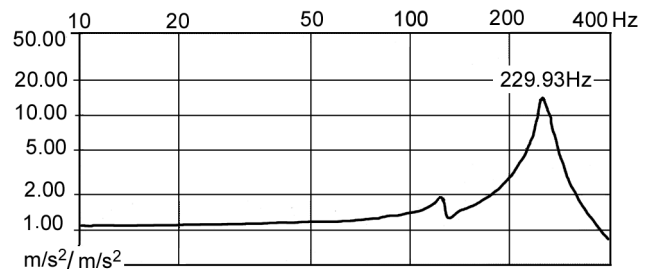
- ☆ A Chloroprene Rubber Cover and soft rubber filled into valleys outside the Bellows yield restoration to the coupling and quickly **dampen oscillations caused by stepping, servo and other motors.**
- ☆ Efficient torque transmission and accurate rotational positioning are achieved throughout the entire operational range.
- ☆ The Vibralow Coupling requires precise installation to the shaft to keep long life.

Part No. VLR120-29-(A × B)

(Thin Two-ply Bellows Coupling with rubber)



※ Oscillations under 100 hertz will quickly be dampened to a minimal value by rubber outside the Bellows.



☆ Natural Frequency: 229.93Hz

Part No.	φ A in.	φ B in.	φ d1 in.	φ d2 in.	Rated Torque kgfcm	Inertia gfcmm²
VLR120- 1	5/16	5/16	.984	.984	40	115.39
VLR120- 2	3/8	5/16	.984	.984	40	115.00
VLR120- 3	3/8	3/8	.984	.984	40	114.62
VLR120- 4	1/2	1/2	.984	.984	40	111.43
VLR120- 5	5/8	5/8	1.063	1.063	40	123.52
VLR120- 6	8 mm	8 mm	.984	.984	40	115.36
VLR120- 7	10 mm	10 mm	.984	.984	40	114.30
VLR120- 8	12 mm	12 mm	.984	.984	40	112.37
VLR120- 9	15 mm	15 mm	1.063	1.063	40	125.83
VLR120- 10	16 mm	16 mm	1.063	1.063	40	123.17
VLR120- 29	Other bores				40	

※ Bores A and B can be specified from 0.313" - 0.630" and customer sizes

Allowable Tolerance

Bore Diameters	H8
.118" ~ .236"	+ .0007" ~ 0
(.236") ~ .394"	+ .0009" ~ 0
(.394") ~ .709"	+ .0011" ~ 0

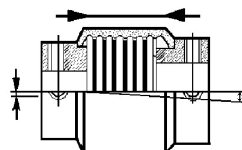
Technical Data

Rated Torque 40 kgfcm
 Maximum Speed 13,740 rpm
 Torsional Stiffness 3.06×10^{-4} rad. / kgfcm

Misalignment Capabilities

Linear Spring Rate 4,25 kgf/mm

Maximum Rated Lateral Misalignment = .0047"



Maximum Rated Angular Misalignment = 2.5 °

Maximum values are not additive, each assumes zero for the other, but lateral and angular misalignment can be combined proportionately: e.g. 50% of each

Materials	Brass bosses, with set screws, soldered to phosphorus bronze Bellows and Nickel plated throughout.	Part Number		VLR120-29-A-B
		Scale	Free	Yunika® Corporation, Tokyo